

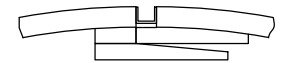
Pendock, Halesfield 19, Telford, Shropshire, TF7 4QT.  
 T 01952 580590  
 F 01952 587805  
 E sales@pendock.co.uk  
 W www.pendock.co.uk

THIS DRAWING MUST NOT BE SCALED

© COPYRIGHT TP MANUFACTURING

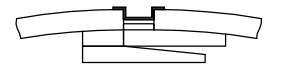
## JOINT OPTIONS

**J2**



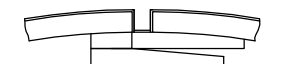
10mm Black UPVC

**J3 (TOP HAT)**



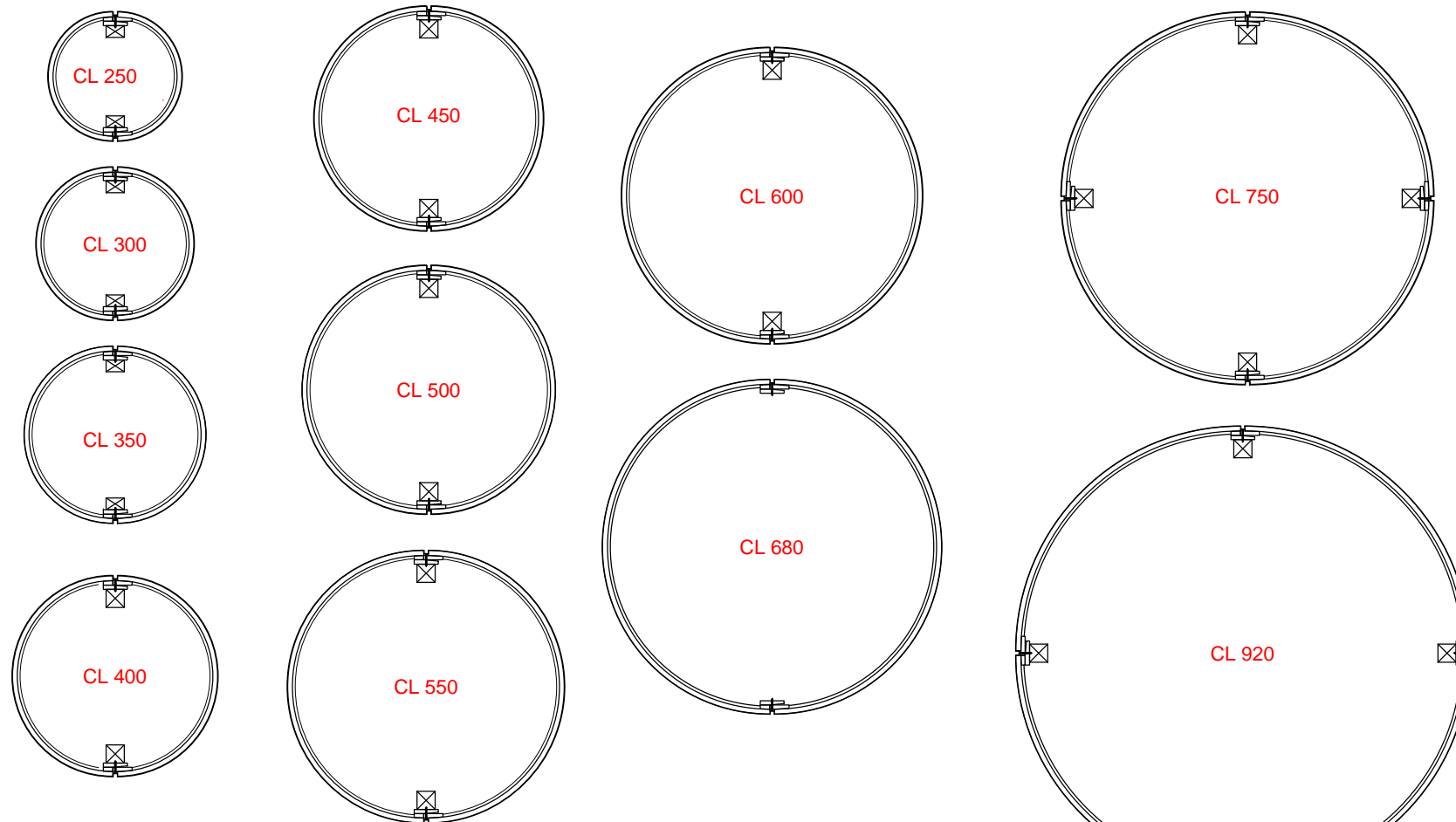
15mm Aluminium extrusion  
& decorative insert

**J5**



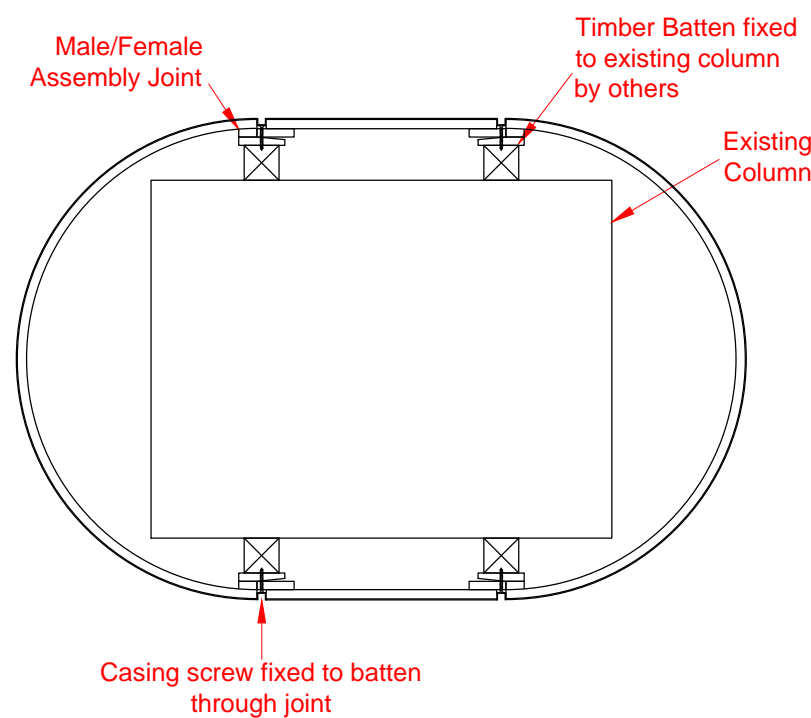
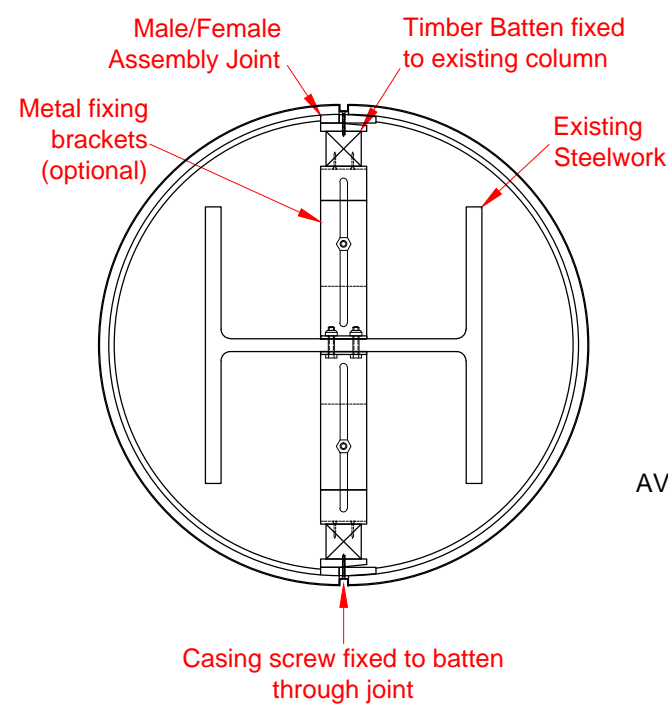
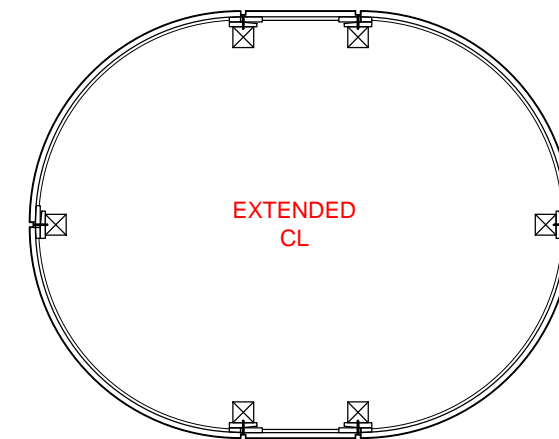
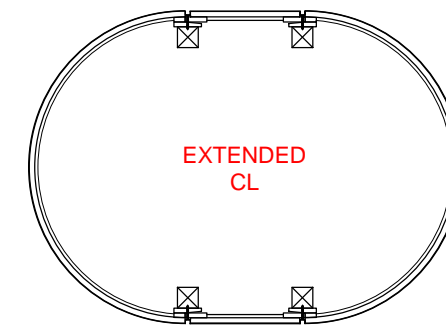
Lipped joint any width  
nom. 10 to 20mm

## CL Diameters



NOTE: Casing diameters remain the same for all jointing options. However, the dimension across the casing will increase by the width of the joint.  
 Plywood is a natural material and therefore slight variations in sizes may occur.

## CL Extended EXAMPLE

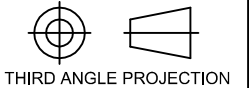


## TYPICAL IN-SITU DETAILS

AVAILABLE FINISHES & ASSEMBLY JOINTS  
 Natural surface for site decorating (J2, J3)  
 Laminate, any postformable laminate (J2, J3 or J5)  
 Laminate Veneer, (J2, J3 or J5)

Available in 3M Lengths

GENERAL INFORMATION  
 ALL DIMENSIONS IN MM  
 UNLESS OTHERWISE STATED



DATE	DRAWN	CHECKED	APPROVED
5/2/14	SL		

CLIENT/PROJECT

PROJECT DETAILS  
**CL\_CASINGS**  
**10MM**

SCALE NTS	SHEET 1 OF 2	A3
-----------	--------------	----

DWG No.	CL_CASINGS	REV C
---------	------------	-------