

Pendock, Halesfield 19, Telford, Shropshire, TF7 4QT.
 T 01952 580590
 F 01952 587805
 E sales@pendock.co.uk
 W www.pendock.co.uk

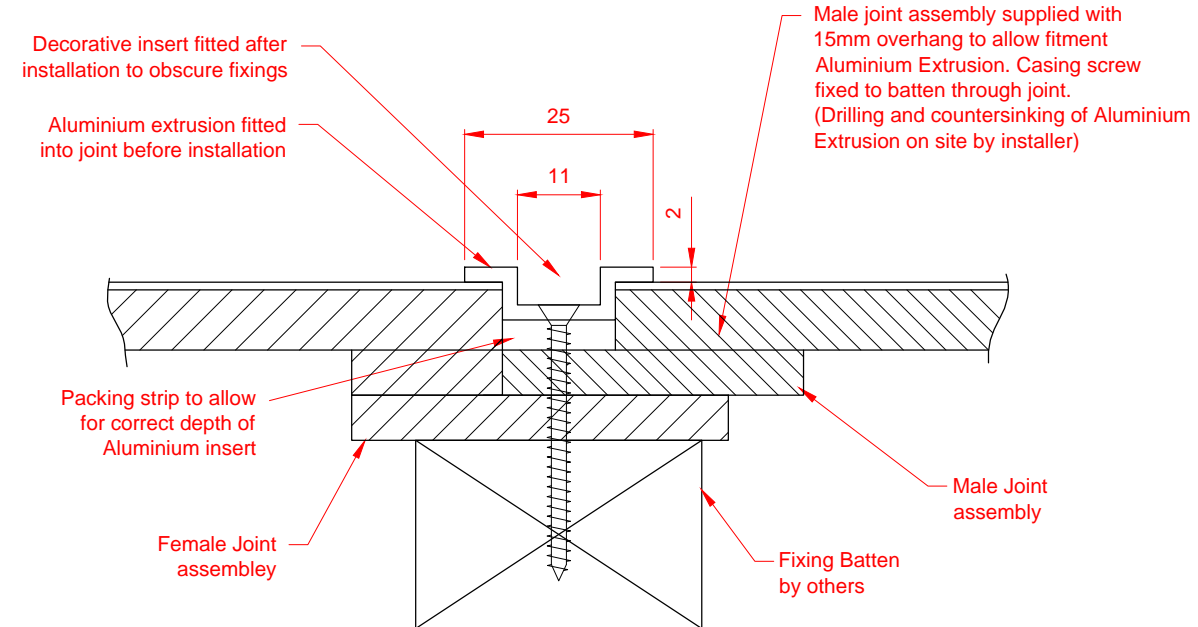
THIS DRAWING MUST NOT BE SCALED

© COPYRIGHT TP MANUFACTURING LTD.

THIS DRAWING MUST BE REVIEWED IN CONJUNCTION WITH ANY SUPPORTING QUOTATIONS REFERENCED.
 THE DESIGN DETAILED IN THIS DRAWING FORMS PART OF A PROPOSED SOLUTION.
 ALL QUANTITIES AND MEASUREMENTS MUST BE CHECKED IN CONJUNCTION WITH SUPPORTING QUOTATION AGAINST CLIENTS REQUIREMENTS. SPECIFIC CONSIDERATION SHOULD BE GIVEN TO DIMENSIONAL ACCURACY (INCLUDING INT. CLEARANCE).
 PENDOCK SHALL NOT BE LIABLE FOR ANY CLAIM ARISING OUT OF THE USE OF THIS DESIGN IN A SCHEME NOT APPROVED IN WRITING BY PENDOCK.
 THIS DRAWING MUST NOT BE LENT OR COPIED, AND THE DESIGN MUST NOT BE COPIED. COPYRIGHT AND DESIGN RIGHT IN THIS DRAWING RESTS WITH PENDOCK.
 THE CUSTOMER OR ITS CONTRACTOR OR AGENT IS RESPONSIBLE FOR VERIFYING THE ACCURACY AND SUITABILITY OF THE DESIGN IN THIS DRAWING.
 PENDOCK STANDARD TERMS AND CONDITIONS, DETAILED ON SUPPORTING QUOTATIONS APPLY.

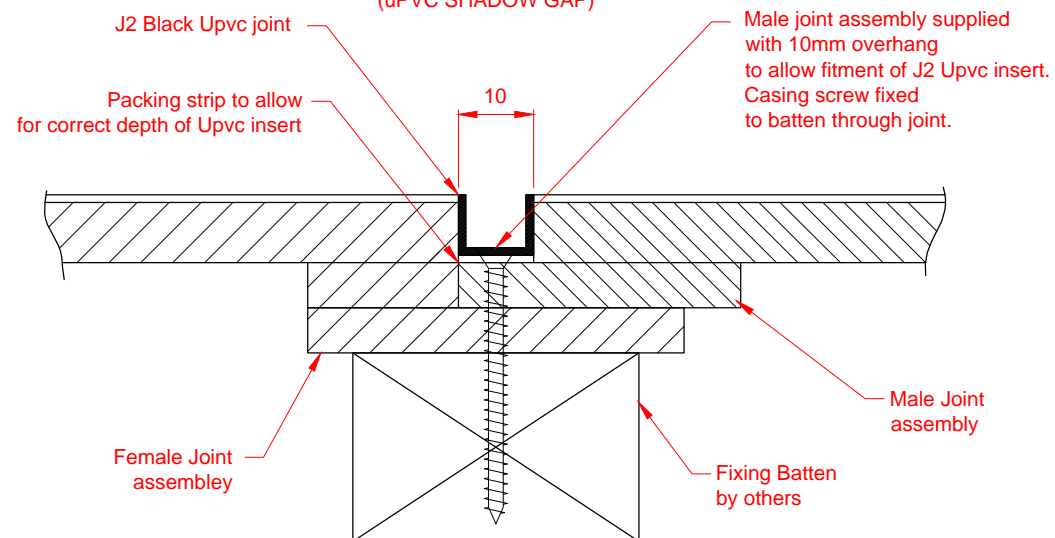
NOTES

J3 Joint Detail (ALUMINIUM EXTRUSION)

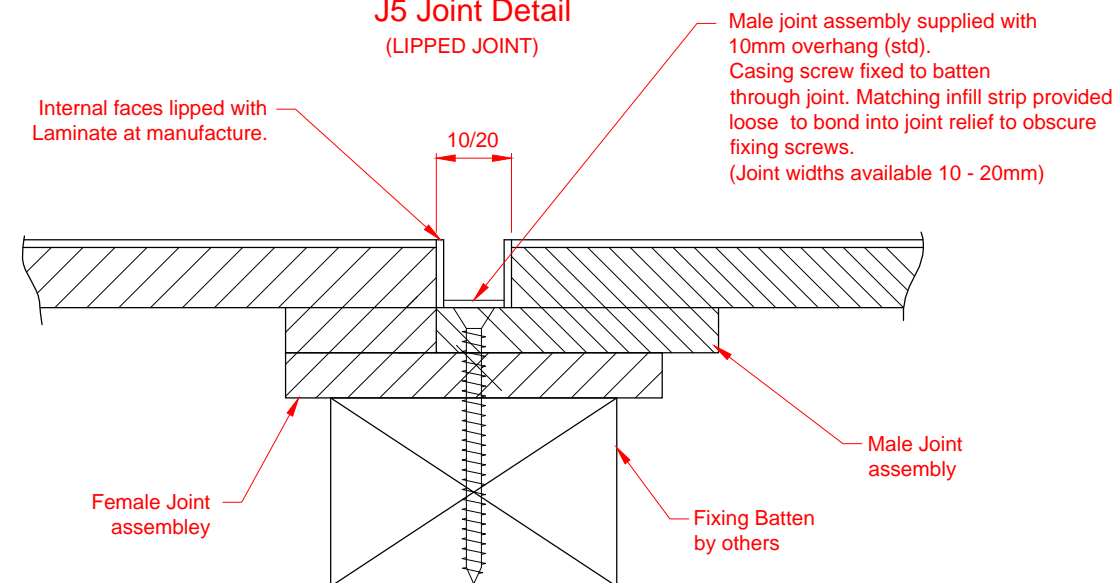


Note:
 Column casings to be strapped together (Tourniquet strapping) to provide a tight seam.

J2 Joint Detail (uPVC SHADOW GAP)



J5 Joint Detail (LIPPED JOINT)



REV	DATE	BY	APP

GENERAL INFORMATION ALL DIMENSIONS IN MM UNLESS OTHERWISE STATED	 THIRD ANGLE PROJECTION
--	----------------------------

DATE 27.8.14	DRAWN SL	CHECKED	APPROVED
-----------------	-------------	---------	----------

CLIENT/PROJECT SQ Columns

PROJECT DETAILS Pendock Column Casings

SCALE nts	SHEET 4 OF 4	A3
DWG No.	REV	

Fitment Guide