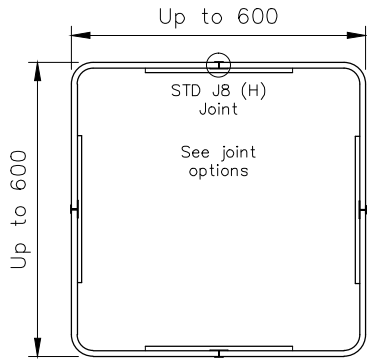
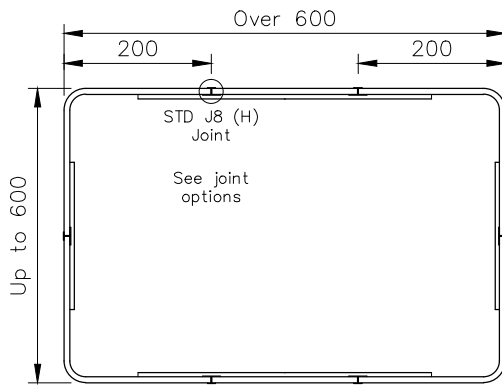


SQ Dimensions

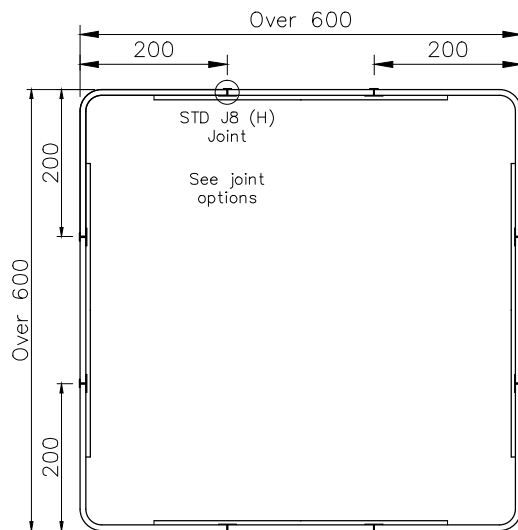
8mm Pre-formed Plywood



8mm Pre-formed Plywood



8mm Pre-formed Plywood



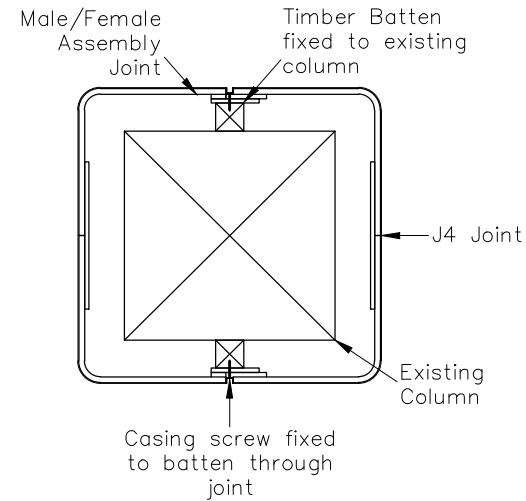
Note:
A square column requires a male/female joint option (J2 J3 J5) in at least two opposite faces. It is not possible to have J8 joints in every face refer to typical in-situ details opposite.

AVAILABLE FINISHES & ASSEMBLY JOINTS

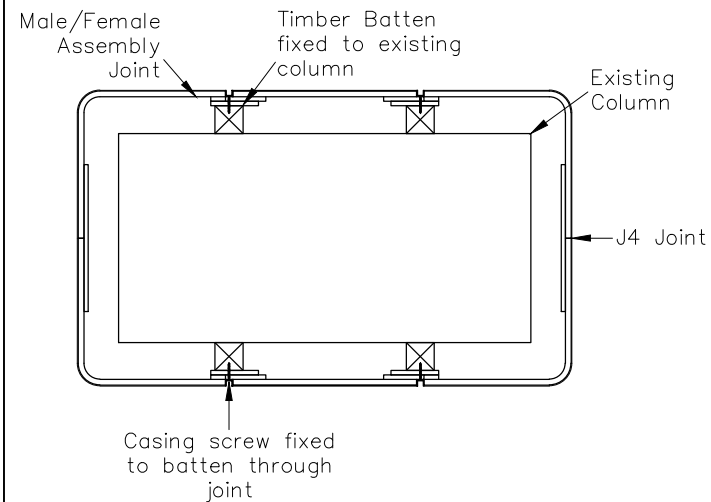
Melamine, (J2, J3, J8)

Laminate, any postformable laminate (J2, J3, J4 (limited) or J5)

Veneer, Laminate veneers (laquered or unlaquered) (J2, J3 or J5)



TYPICAL IN-SITU DETAILS



AVAILABLE IN 2.5 OR 3m LENGTHS

JOINT OPTIONS

STD J8 (H)
JOINT



J2



10mm Black UPVC

J3 (TOP HAT)



15mm Aluminium extrusion & decorative insert

J4



Sealed joint (laminate only)

J5



Lipped joint any width nom. 10 to 20mm

PENDOCK

Pendock
Halesfield 19, Telford, Shropshire, TF7 4QT.
Tel: +44 (0) 1952 580590 Fax: +44 (0) 1952 587805
E-mail: technical@pendock.co.uk
Web: www.pendock.co.uk

THIS DRAWING MUST NOT BE SCALED

© COPYRIGHT TP MANUFACTURING
PENDOCK, HALESFIELD 19, TELFORD, SHROPSHIRE TF7 4QT
TEL: +44 (0) 1952 580590 FAX: +44 (0) 1952 587805
email: sales@pendock.co.uk or technical@pendock.co.uk

SQ CASINGS

DRAWN BY	SCALE	DATE
SL	NTS	9/3/15