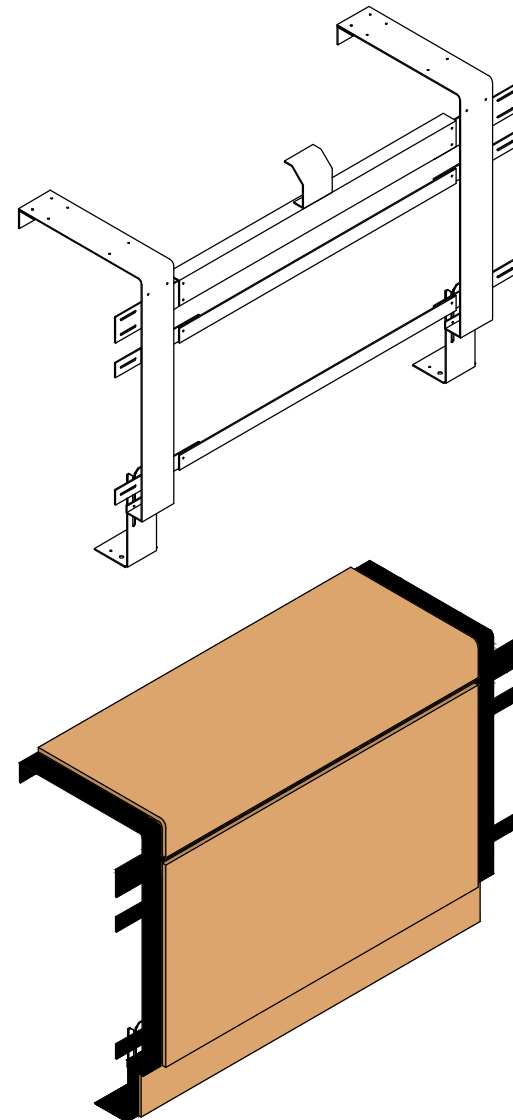


Note: Extra wall and foot brackets may be supplied for fitment between inner collars for centre support to plinths and cills over 1500mm long

Front Panels over 1500mm long may be provided in two equal sections for ease of removal and for weight limits c/w with a shadow gap strip to be located on the alignment brackets.
 Inner collars adjacent to walls will only have fixing lugs on one side



PENDOCK

Pendock
 Halesfield 19, Telford, Shropshire, TF7 4QT.
 Tel: +44 (0) 1952 580590 Fax: +44 (0) 1952 587805
 E-mail: technical@pendock.co.uk
 Web: www.pendock.co.uk

THIS DRAWING MUST NOT BE SCALED

© COPYRIGHT TP MANUFACTURING LTD
 HALESFIELD 19, TELFORD, SHROPSHIRE TF7 4QT
 TEL: +44 (0) 1952 580590 FAX: +44 (0) 1952 587805
 email: sales@pendock.co.uk or technical@pendock.co.uk

PC
 PERIMETER CASINGS

DRAWN BY	SCALE	DATE
SL	1:10	9/3/15