

Pendock, Halesfield 19, Telford, Shropshire, TF7 4QT.
 T 01952 580590
 F 01952 587805
 E sales@pendock.co.uk
 W www.pendock.co.uk

THIS DRAWING MUST NOT BE SCALED

© COPYRIGHT TP MANUFACTURING

THIS DRAWING MUST BE REVIEWED IN CONJUNCTION WITH ANY SUPPORTING QUOTATIONS REFERENCED.
 THE DESIGN DETAILED IN THIS DRAWING FORMS PART OF A PROPOSED SOLUTION.
 ALL QUANTITIES AND MEASUREMENTS MUST BE CHECKED IN CONJUNCTION WITH SUPPORTING QUOTATION AGAINST CLIENTS REQUIREMENTS. SPECIFIC CONSIDERATION SHOULD BE GIVEN TO DIMENSIONAL ACCURACY (INCLUDING INT. CLEARANCE).
 PENDOCK SHALL NOT BE LIABLE FOR ANY CLAIM ARISING OUT OF THE USE OF THIS DESIGN IN A SCHEME NOT APPROVED IN WRITING BY PENDOCK.
 THIS DRAWING MUST NOT BE LENT OR COPIED, AND THE DESIGN MUST NOT BE COPIED. COPYRIGHT AND DESIGN RIGHT IN THIS DRAWING RESTS WITH PENDOCK.
 THE CUSTOMER OR ITS CONTRACTOR OR AGENT IS RESPONSIBLE FOR VERIFYING THE ACCURACY AND SUITABILITY OF THE DESIGN IN THIS DRAWING.
 PENDOCK STANDARD TERMS AND CONDITIONS, DETAILED ON SUPPORTING QUOTATIONS APPLY.

NOTES

REV	DATE	BY	APP
-----	------	----	-----

GENERAL INFORMATION
 ALL DIMENSIONS IN MM
 UNLESS OTHERWISE STATED



DATE	DRAWN	CHECKED	APPROVED
27.8.14	SL		

CLIENT/PROJECT

**Metal Columns
 Square**

PROJECT DETAILS

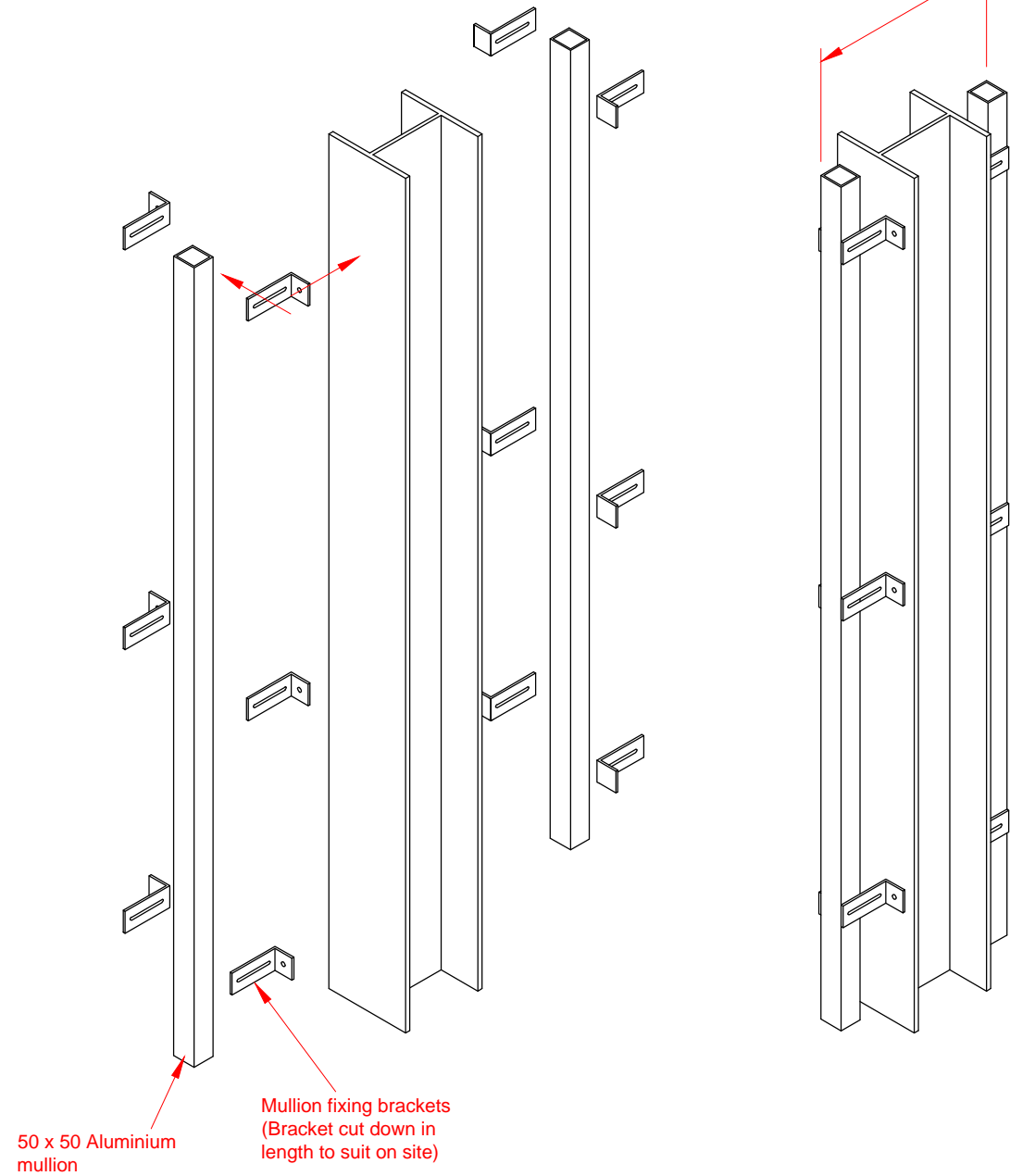
**Pendock Column
 Casings**

SCALE	SHEET	A3
nts	1 OF 4	REV

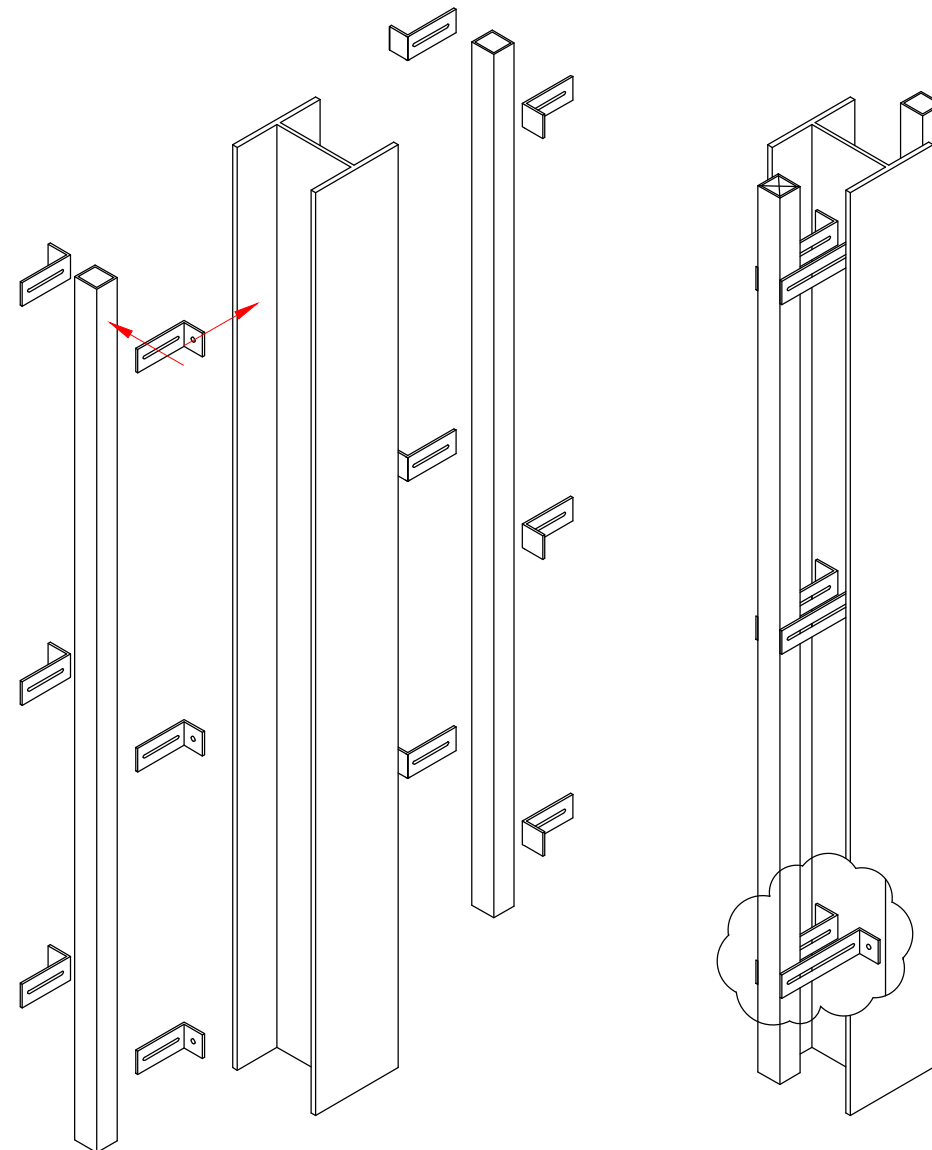
Fitment Guide

Column Flange Fixing Option

Mullions set to internal dimension of column enclosure allowing for joints. (Set at smaller enclosure flange dimension)



Column Web Fixing Option



Fix the 50 x 50 aluminium mullion to existing column to suit internal dimensions of column enclosure

If the aluminium mullions are not provided and timber mullions are used on site the procedure is the same. Set the outside face of the timber mullions to suit the internal face of the column enclosure.

Note:

The internal column enclosure dimensions differ, the smaller dimension (female section) should be used.