

Pendock, Halesfield 19, Telford, Shropshire, TF7 4QT.
 T 01952 580590
 F 01952 587805
 E sales@pendock.co.uk
 W www.pendock.co.uk

THIS DRAWING MUST NOT BE SCALED

© COPYRIGHT TP MANUFACTURING

THIS DRAWING MUST BE REVIEWED IN CONJUNCTION WITH ANY SUPPORTING QUOTATIONS REFERENCED.

THE DESIGN DETAILED IN THIS DRAWING FORMS PART OF A PROPOSED SOLUTION.

ALL QUANTITIES AND MEASUREMENTS MUST BE CHECKED IN CONJUNCTION WITH SUPPORTING QUOTATION AGAINST CLIENTS REQUIREMENTS. SPECIFIC CONSIDERATION SHOULD BE GIVEN TO DIMENSIONAL ACCURACY (INCLUDING INT. CLEARANCE).

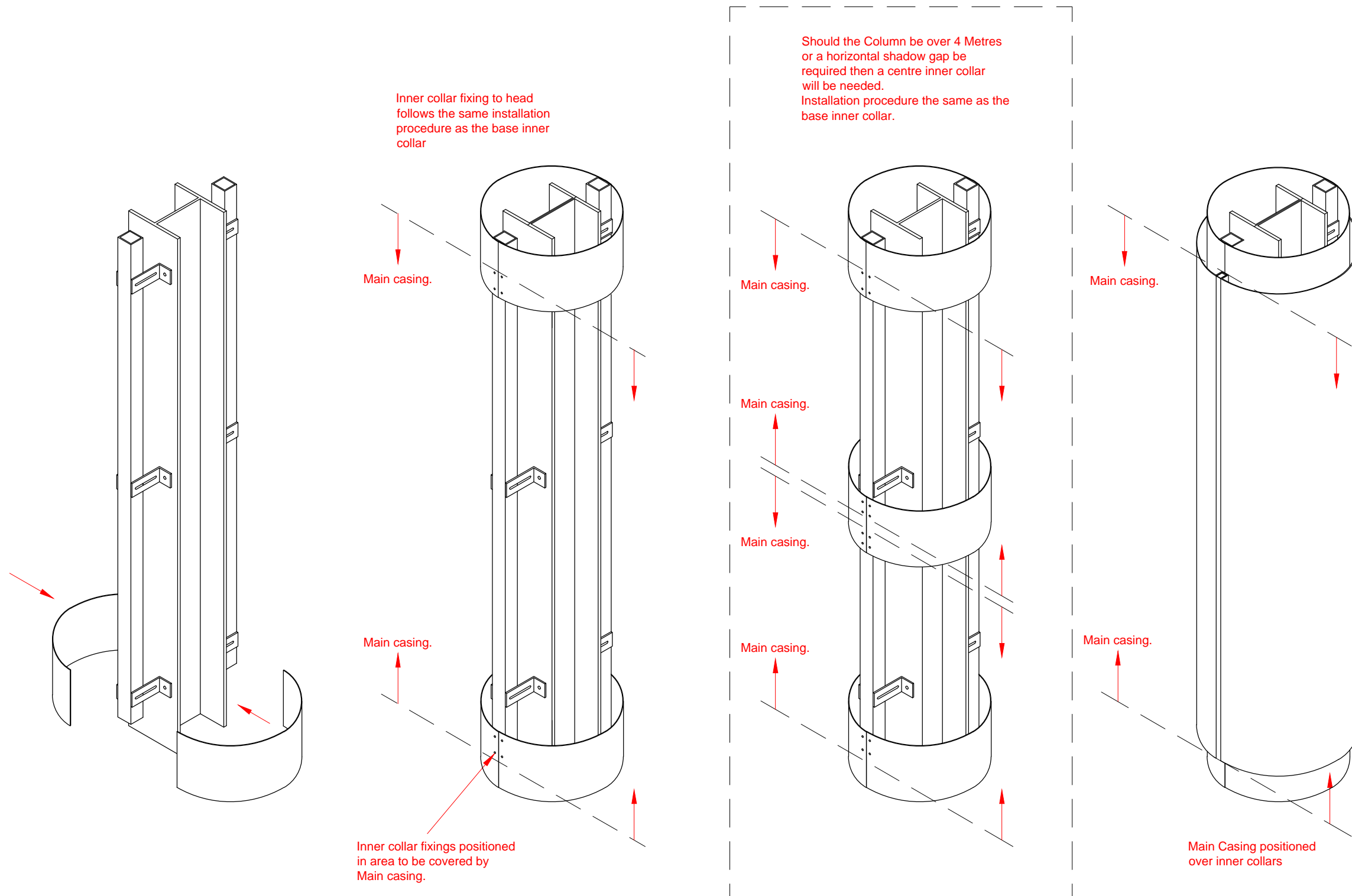
PENDOCK SHALL NOT BE LIABLE FOR ANY CLAIM ARISING OUT OF THE USE OF THIS DESIGN IN A SCHEME NOT APPROVED IN WRITING BY PENDOCK.

THIS DRAWING MUST NOT BE LENT OR COPIED, AND THE DESIGN MUST NOT BE COPIED. COPYRIGHT AND DESIGN RIGHT IN THIS DRAWING RESTS WITH PENDOCK.

THE CUSTOMER OR ITS CONTRACTOR OR AGENT IS RESPONSIBLE FOR VERIFYING THE ACCURACY AND SUITABILITY OF THE DESIGN IN THIS DRAWING.

PENDOCK STANDARD TERMS AND CONDITIONS, DETAILED ON SUPPORTING QUOTATIONS APPLY.

NOTES



Should the Column be over 4 Metres or a horizontal shadow gap be required then a centre inner collar will be needed. Installation procedure the same as the base inner collar.

Inner collar fixing to head follows the same installation procedure as the base inner collar

Main casing.

Main casing.

Main casing.

Main casing.

Main casing.

Main casing.

Main casing.

Main casing.

Inner collar fixings positioned in area to be covered by Main casing.

Main Casing positioned over inner collars

Mechanically fix inner collars to the Aluminium (or timber) mullions to head and base as required.

Only place the fixings in the areas that will be covered by the main casing enclosure. (fixings to be countersunk to allow over fitment of main enclosure)

REV	DATE	BY	APP

GENERAL INFORMATION ALL DIMENSIONS IN MM UNLESS OTHERWISE STATED	 THIRD ANGLE PROJECTION
------------------------------------------------------------------------	----------------------------

DATE 27.8.14	DRAWN SL	CHECKED	APPROVED
-----------------	-------------	---------	----------

CLIENT/PROJECT

**Metal Columns
Circular**

PROJECT DETAILS

**Pendock Column
Casings**

SCALE nts	SHEET 2 OF 4	A3
DWG No.		REV

Fitment Guide