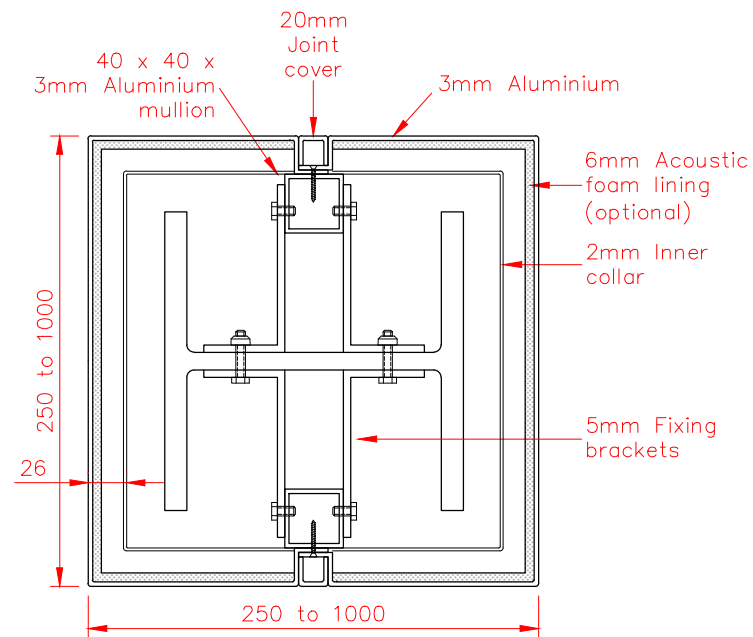


SINGLE SKIN
CIRCULAR METAL
CASING



SINGLE SKIN
SQUARE METAL
CASING

AVAILABLE IN UP TO 4m
LENGTHS

SIZES AVAILABLE IN 50mm
INCREMENTS. SQUARES
OVER 750mm SUPPLIED AS
QUARTERS.

BESPOKE SHAPES CAN BE
PRODUCED.

AVAILABLE FINISHES:
POLYESTER POWDER
COATED
POLISHED (MIRROR /
BRUSHED) SATIN ANODISED
OR MILL FINISH

20MM COVER JOINT IS NOT
A COMPRESSION FIT AND
WILL NEED TO BE
SILICONED INTO POSITION

PENDOCK

Pendock
Halesfield 19, Telford, Shropshire, TF7 4QT.
Tel: +44 (0) 1952 580590 Fax: +44 (0) 1952
587805
E-mail: technical@pendock.co.uk
Web: www.pendock.co.uk

THIS DRAWING MUST NOT BE SCALED

© COPYRIGHT TP MANUFACTURING
PENDOCK, HALESFIELD 19, TELFORD, SHROPSHIRE
TF7 4QT
TEL: +44 (0) 1952 580590 FAX: +44 (0) 1952
587805
email: sales@pendock.co.uk or
technical@pendock.co.uk

METAL CASINGS
TYPICAL DETAILS

DRAWN BY	SCALE	DATE
RM	1:5	26/2/16