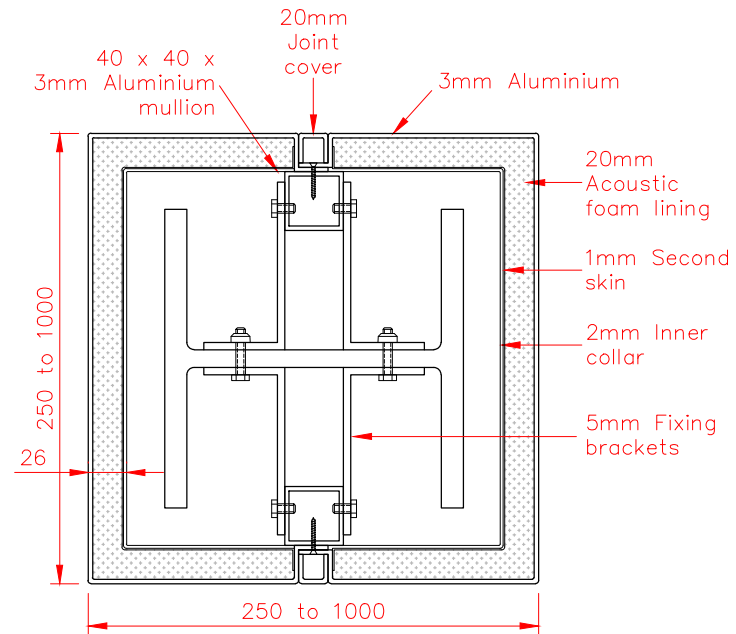


DOUBLE SKIN CIRCULAR METAL CASING



DOUBLE SKIN SQUARE METAL CASING

AVAILABLE IN UP TO 4m LENGTHS

SIZES AVAILABLE IN 50mm INCREMENTS. SQUARES OVER 750mm SUPPLIED AS QUARTERS.

BESPOKE SHAPES CAN BE PRODUCED.

AVAILABLE FINISHES: POLYESTER POWDER COATED POLISHED (MIRROR / BRUSHED) SATIN ANODISED OR MILL FINISH

20MM FEATURE JOINT IS NOT A COMPRESSION FIT AND WILL NEED TO BE SILICONED INTO POSITION

**PENDOCK**

Pendock  
Halesfield 19, Telford, Shropshire, TF7 4QT.  
Tel: +44 (0) 1952 580590 Fax: +44 (0) 1952 587805  
E-mail: [technical@pendock.co.uk](mailto:technical@pendock.co.uk)  
Web: [www.pendock.co.uk](http://www.pendock.co.uk)

THIS DRAWING MUST NOT BE SCALED

© COPYRIGHT TP MANUFACTURING LTD  
HALESFIELD 19, TELFORD, SHROPSHIRE TF7 4QT  
TEL: +44 (0) 1952 580590 FAX: +44 (0) 1952 587805  
email: [sales@pendock.co.uk](mailto:sales@pendock.co.uk) or [technical@pendock.co.uk](mailto:technical@pendock.co.uk)

METAL CASINGS  
TYPICAL DETAILS

| DRAWN BY | SCALE | DATE    |
|----------|-------|---------|
| RM       | 1:5   | 26/2/16 |