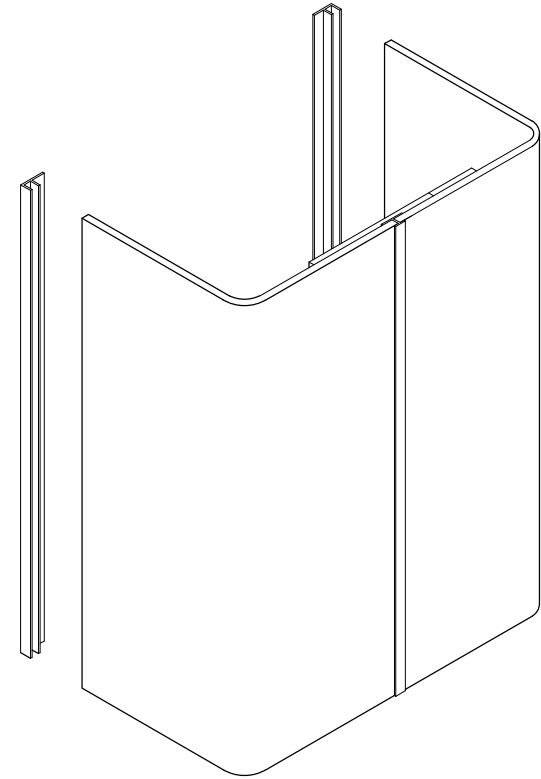
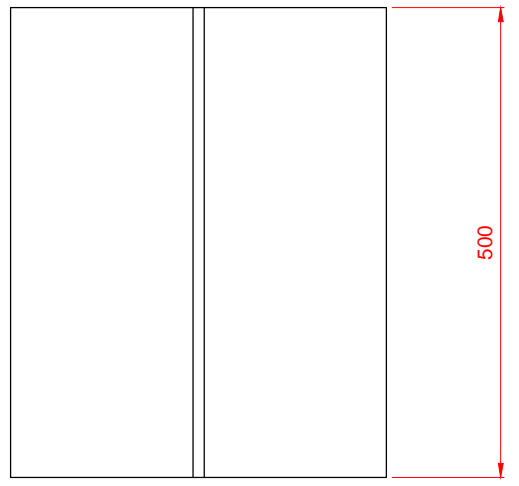
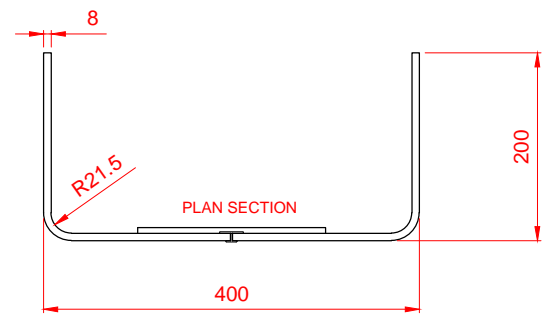
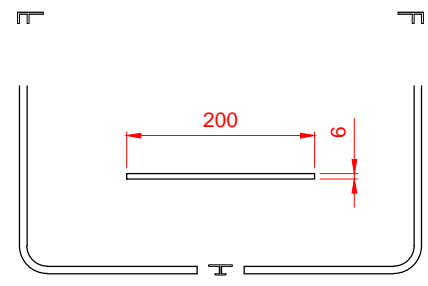


Pendock, Halesfield 19, Telford, Shropshire, TF7 4QT.
 T 01952 580590
 F 01952 587805
 E sales@pendock.co.uk
 W www.pendock.co.uk

THIS DRAWING MUST NOT BE SCALED
 © COPYRIGHT TP MANUFACTURING

THIS DRAWING MUST BE REVIEWED IN CONJUNCTION WITH ANY SUPPORTING QUOTATIONS REFERENCED.
 THE DESIGN DETAILED IN THIS DRAWING FORMS PART OF A PROPOSED SOLUTION.
 ALL QUANTITIES AND MEASUREMENTS MUST BE CHECKED IN CONJUNCTION WITH SUPPORTING QUOTATION AGAINST CLIENT'S REQUIREMENTS. SPECIFIC CONSIDERATION SHOULD BE GIVEN TO DIMENSIONAL ACCURACY (INCLUDING INT. CLEARANCE).
 PENDOCK SHALL NOT BE LIABLE FOR ANY CLAIM ARISING OUT OF THE USE OF THIS DESIGN IN A SCHEME NOT APPROVED IN WRITING BY PENDOCK.
 THIS DRAWING MUST NOT BE LENT OR COPIED, AND THE DESIGN MUST NOT BE COPIED. COPYRIGHT AND DESIGN RIGHT IN THIS DRAWING RESTS WITH PENDOCK.
 THE CUSTOMER OR ITS CONTRACTOR OR AGENT IS RESPONSIBLE FOR VERIFYING THE ACCURACY AND SUITABILITY OF THE DESIGN IN THIS DRAWING.
 PENDOCK STANDARD TERMS AND CONDITIONS, DETAILED ON SUPPORTING QUOTATIONS APPLY.

NOTES



REV	DATE	BY	APP
-----	------	----	-----

GENERAL INFORMATION ALL DIMENSIONS IN MM UNLESS OTHERWISE STATED		THIRD ANGLE PROJECTION	
DATE 14/10/15	DRAWN SL	CHECKED	APPROVED

CLIENT/PROJECT
**Melamine 1 Piece Jointed
 Boiler Pipe Casing
 Assembled on site**

PROJECT DETAILS
Pendock Profiles

SCALE NTS	SHEET 1 OF 1	A4
DWG No. Melamine 1 Piece (loose)		REV -