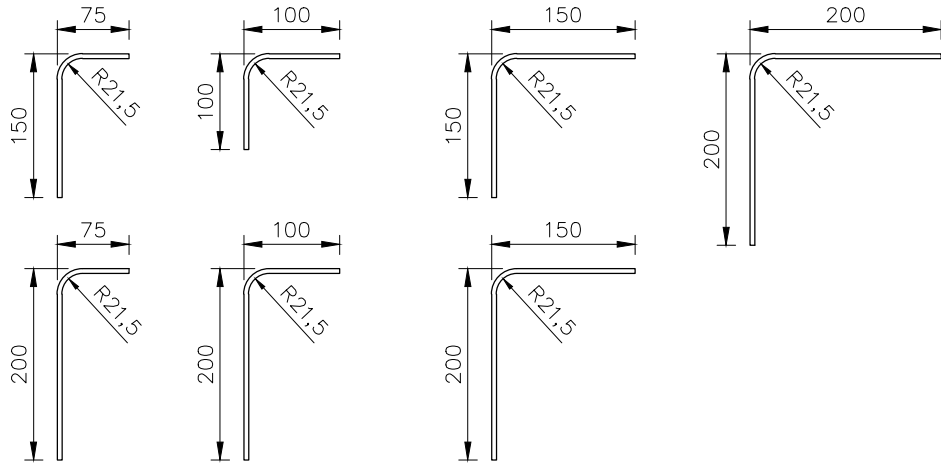


### MX Standard Sizes

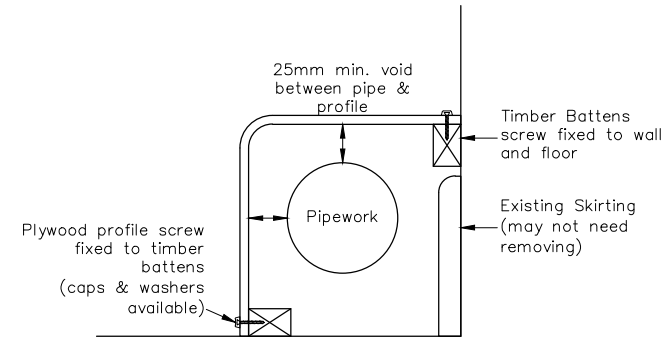
5mm Pre-formed Plywood

FINISHES  
Melamine



AVAILABLE IN 2.5m LENGTHS

### TYPICAL INSTALLATION

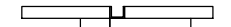


### JOINT OPTIONS

STD J8 (H)  
JOINT



J2



10mm Black UPVC

J3 (TOP HAT)



15mm Aluminium extrusion & decorative insert

J4



Sealed joint (laminate only)

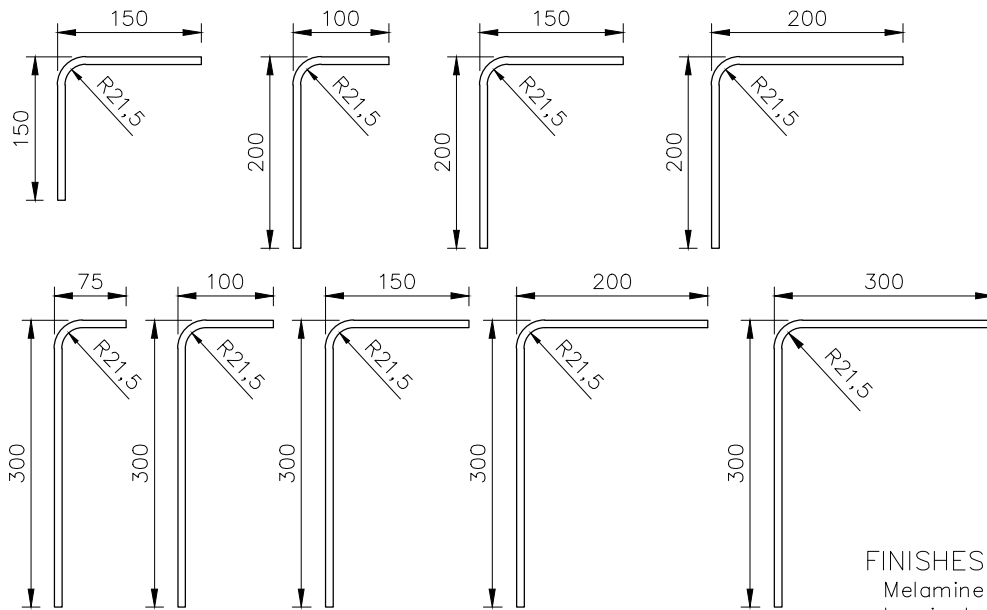
J5



Lipped joint any width nom. 10 to 20mm

### MX Standard Sizes

8mm Pre-formed Plywood

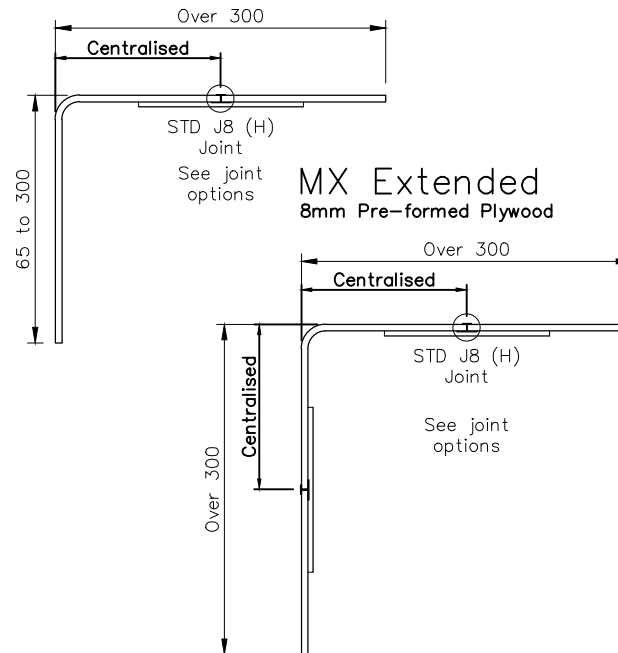


AVAILABLE IN 2.5 OR 3m LENGTHS

FINISHES  
Melamine  
Laminate  
Laminate veneer

### MX Extended

8mm Pre-formed Plywood



# PENDOCK

Pendock.  
Halesfield 19, Telford, Shropshire, TF7 4QT.  
Tel: +44 (0) 1952 580590 Fax: +44 (0) 1952 587805  
E-mail: [technical@pendock.co.uk](mailto:technical@pendock.co.uk)  
Web: [www.pendock.co.uk](http://www.pendock.co.uk)

THIS DRAWING MUST NOT BE SCALED

© COPYRIGHT TP MANUFACTURING  
PENDOCK, HALESFIELD 19, TELFORD, SHROPSHIRE TF7 4QT  
TEL: +44 (0) 1952 580590 FAX: +44 (0) 1952 587805  
email: [sales@pendock.co.uk](mailto:sales@pendock.co.uk) or [technical@pendock.co.uk](mailto:technical@pendock.co.uk)

## MX PROFILE

DRAWN BY	SCALE	DATE
SL	NTS	9/3/15