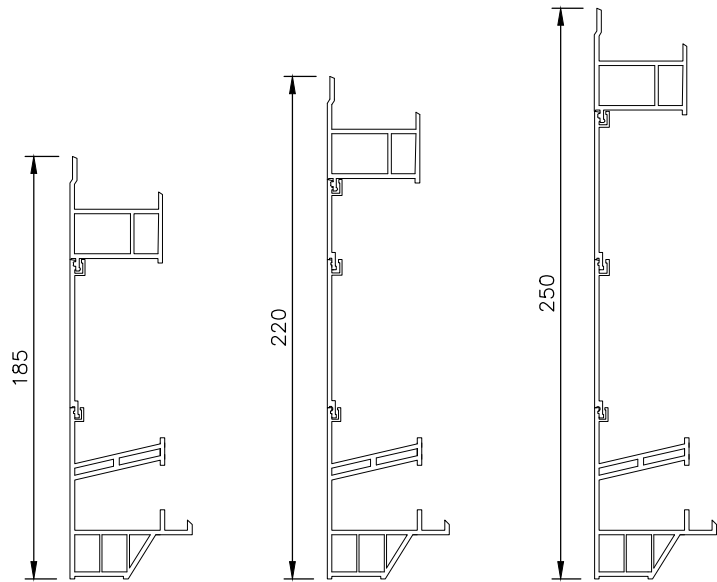
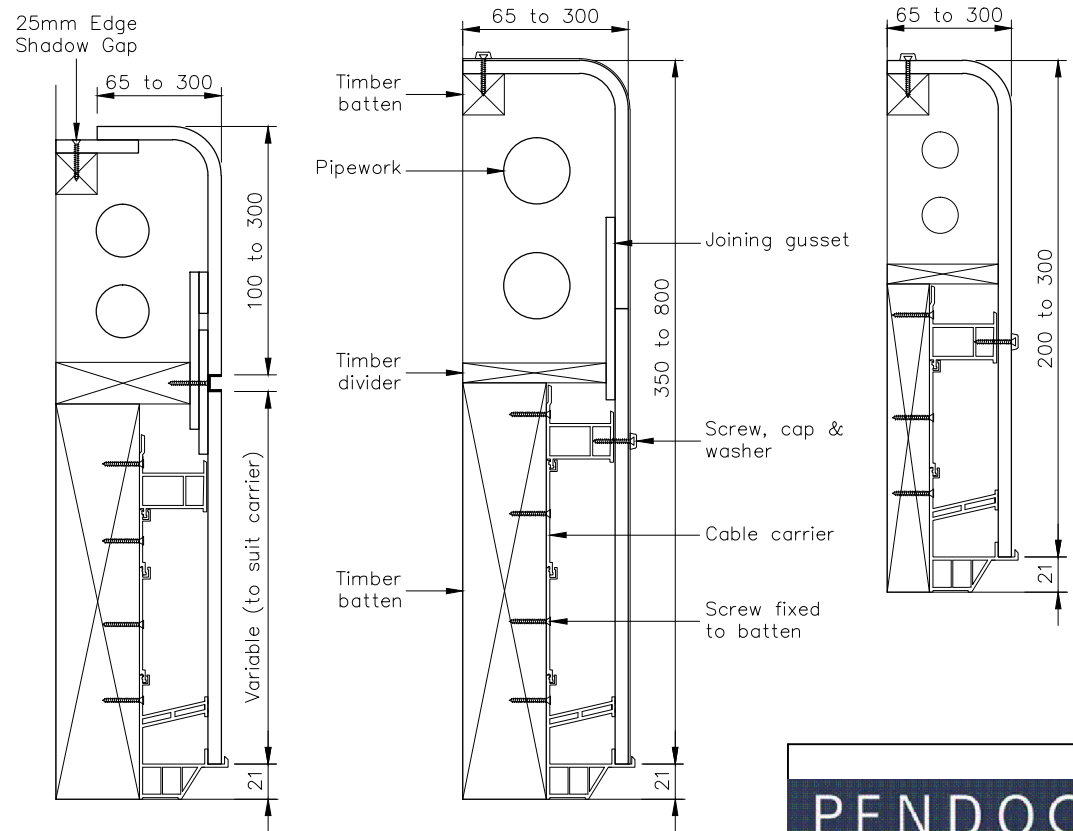


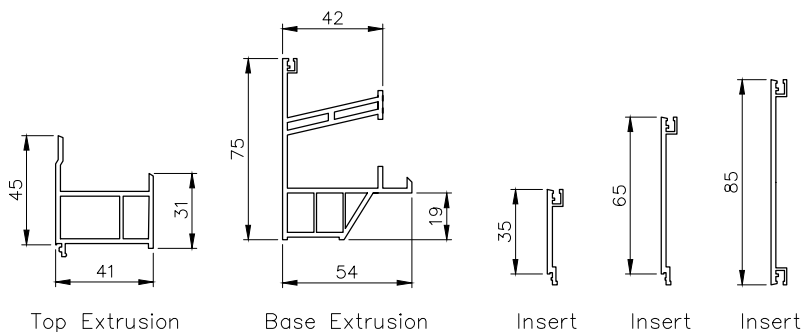
# CARRIER OPTIONS



# TYPICAL INSTALLATION DETAILS



# THE CARRIER



The MCMX system utilises the multi-compartment carrier from our MCTK range, replacing the TK facias with our 8mm MX range.

<b>PENDOCK</b>		
Pendock Ltd. Halesfield 19, Telford, Shropshire, TF7 4QT. Tel: +44 (0) 1952 580590 Fax: +44 (0) 1952 587805 E-mail: <a href="mailto:technical@pendock.com">technical@pendock.com</a> Web: <a href="http://www.pendock.co.uk">www.pendock.co.uk</a>		
THIS DRAWING MUST NOT BE SCALED		
© COPYRIGHT TP MANUFACTURING LTD HALESFIELD 19, TELFORD, SHROPSHIRE TF7 4QT TEL: +44 (0) 1952 580590 FAX: +44 (0) 1952 587805 email: <a href="mailto:sales@pendock.co.uk">sales@pendock.co.uk</a> or <a href="mailto:technical@pendock.co.uk">technical@pendock.co.uk</a>		
<b>MCMX</b>		
DRAWN BY SH	SCALE NTS	DATE 19/03/08