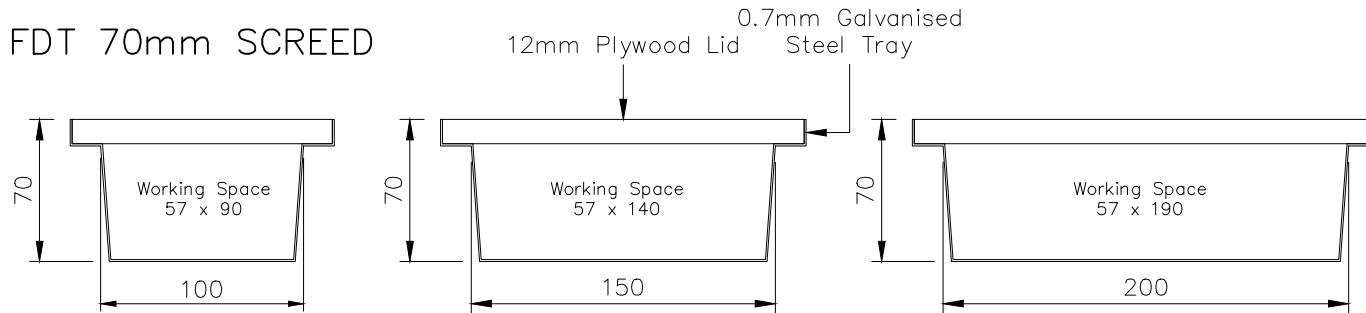


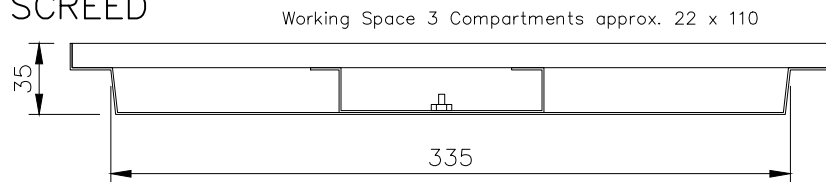
### FDT 50mm SCREED



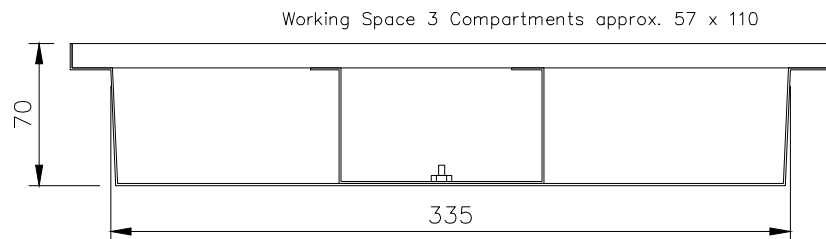
### FDT 70mm SCREED



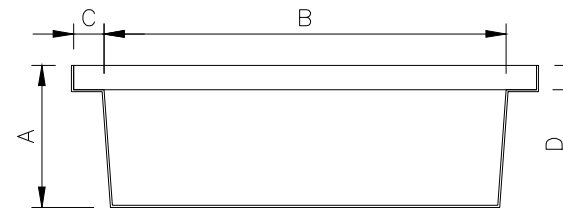
### MCFDT 35mm SCREED



### MCFDT 70mm SCREED



### SPECIFYING NON STANDARD PROFILES



- A (DEPTH): \_\_\_\_\_
- B (WIDTH): \_\_\_\_\_
- C (FLANGE): \_\_\_\_\_
- D (UPSTAND): \_\_\_\_\_
- WORKING DEPTH: \_\_\_\_\_
- QUANTITY: \_\_\_\_\_

Notes:

THICKNESS

Steel tray 0.7mm  
Plywood cover 12mm

STANDARD LENGTH

Steel tray 2.5m  
Plywood cover 2.44m

# PENDOCK

Pendock.  
Halesfield 19, Telford, Shropshire, TF7 4QT.  
Tel: +44 (0) 1952 580590 Fax: +44 (0) 1952 587805  
E-mail: [technical@pendock.co.uk](mailto:technical@pendock.co.uk)  
Web: [www.pendock.co.uk](http://www.pendock.co.uk)

THIS DRAWING MUST NOT BE SCALED

© COPYRIGHT TP MANUFACTURING  
PENDOCK, HALESFIELD 19, TELFORD, SHROPSHIRE  
TF7 4QT  
TEL: +44 (0) 1952 580590 FAX: +44 (0) 1952 587805  
email: [sales@pendock.co.uk](mailto:sales@pendock.co.uk) or  
[technical@pendock.co.uk](mailto:technical@pendock.co.uk)

## FDT & MCFDT FLOOR DUCTING

DRAWN BY SH	SCALE NTS	DATE 19/03/08
----------------	--------------	------------------